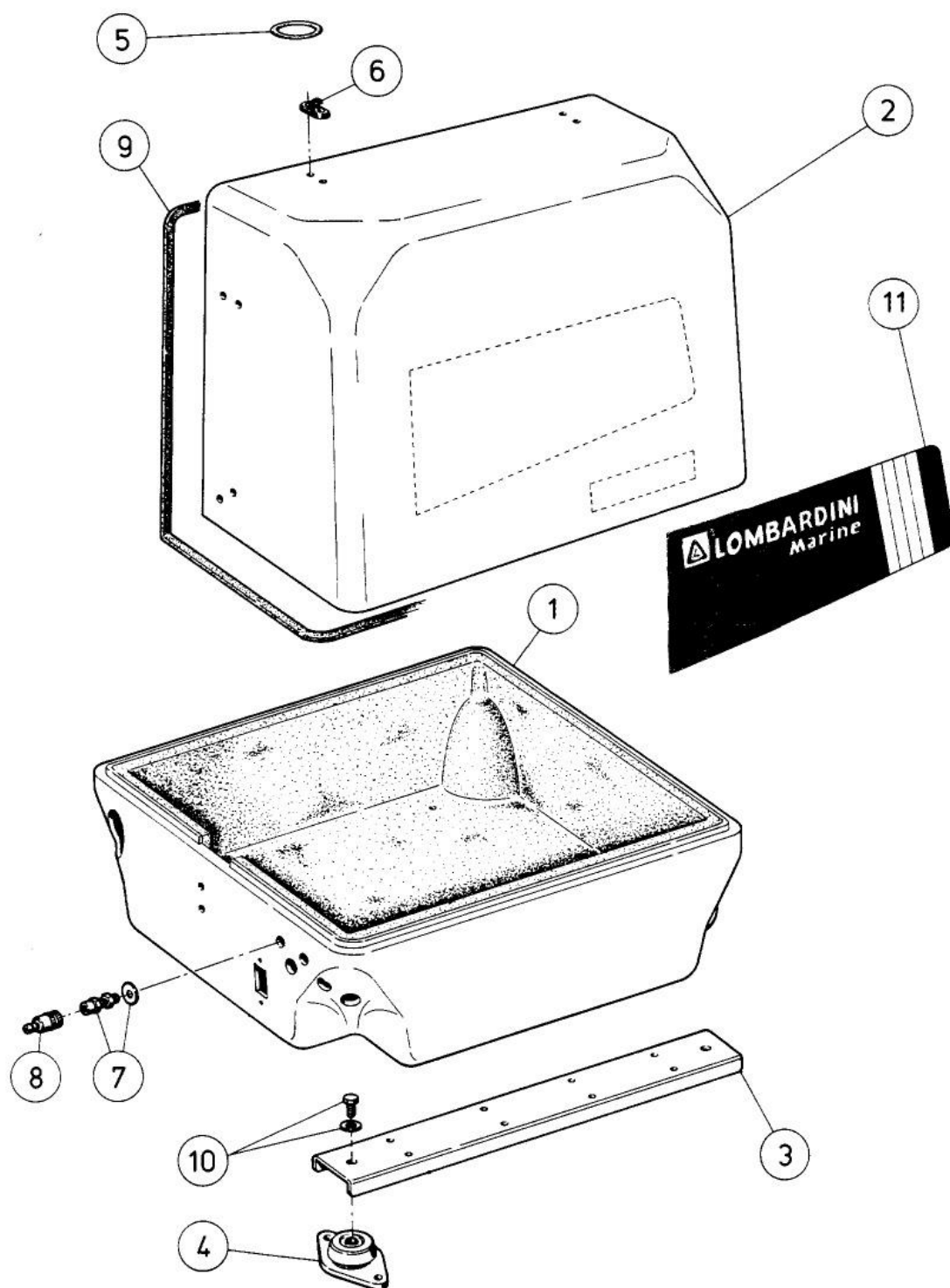


Tafel: 1

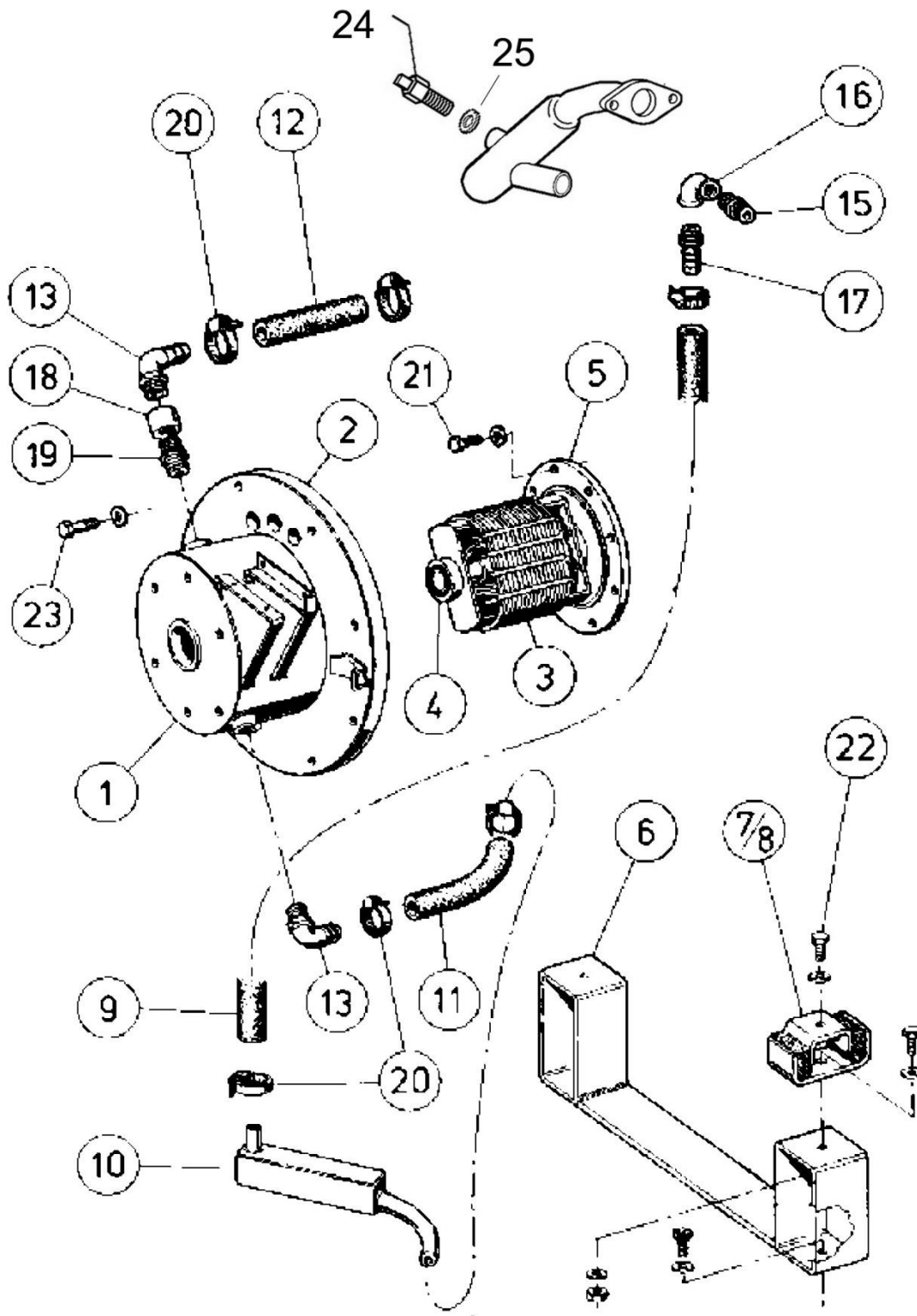
- 1 fiberglass casing
- 1 fiberglass casing assy lmg 14000
- 1 fiberglass casing
- 1 fiberglass casing
- 2 half bearing for upper casing lmg 6000
- 2 half cover
- 2 half cover
- 2 half cover
- 3 chassis
- 3 chassis
- 3 chassis
- 3 chassis
- 4 vibration mounts, external
- 5 o-ring
- 6 hook
- 7 male quick fitting for fuel
- 8 female quick fitting for fuel
- 9 gasket
- 9 gasket
- 9 gasket
- 9 rubber seal lmg 14000
- 10 bolt
- 11 sticker



Tafel 1

Tafel: 2

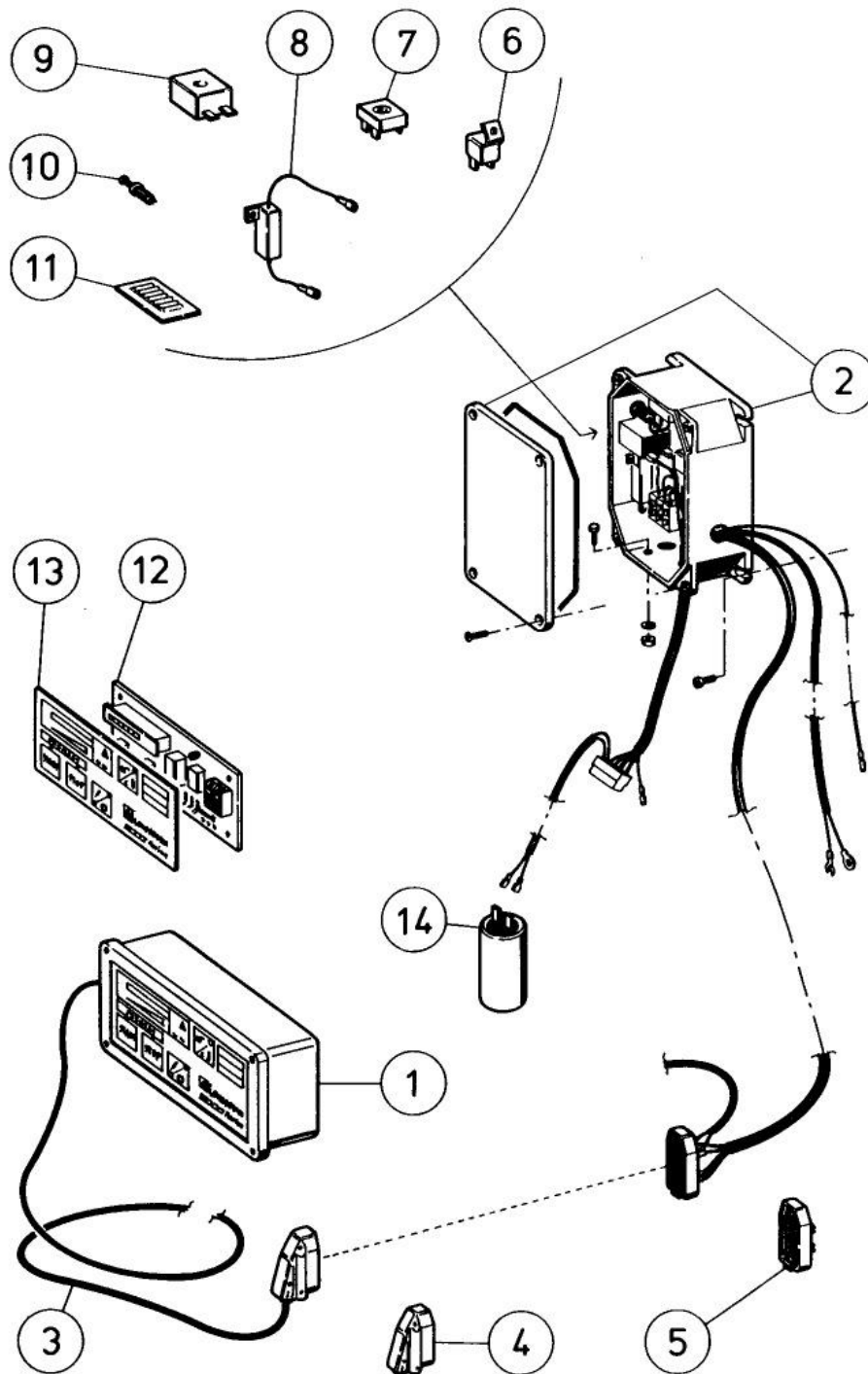
1	stator
1	stator
1	stator
1	stator
2	flange
2	flange
3	rotor
3	rotor
3	rotor
3	rotor
4	bearing
5	lmg 6000 - 9000 joint
5	lmg 14000 - 18000 joint
6	chassis
6	chassis
7	vibration mounts, internal
8	rubber mount
9	hose
10	oil cooler
11	water sleeve 200mm
12	hose
12	hose
13	bent hose fitting
15	nipple 1/2"-3/8"
16	elbow
17	bent hose fitting
18	threaded sleeve
19	nipple 1/2
20	hose clamp
21	bolt
22	bolt
23	bolt
23	bolt
23	bolt
23	bolt
23	bolt
24	riser temperature sensor for lmg engines
25	gasket



Tafel 2

Tafel: 3

1	lmg second remote control panel 10mt
2	electric box
2	electric box
3	cable 10m with connector
4	male socket 8 poles
5	female socket 8 poles
6	starting relay
7	diode bridge
8	resistance
9	transformer
9	transformer
10	fuse carrier
11	fuse
12	printed circuit
13	polycarbonate plate
14	condenser 36uf
14	condenser 35uf
14	condenser 31,5uf
14	condenser 30uf
14	condenser 28uf
14	condenser 25uf
15	cover
15	diode
15	cover
15	diode



Tafel 3